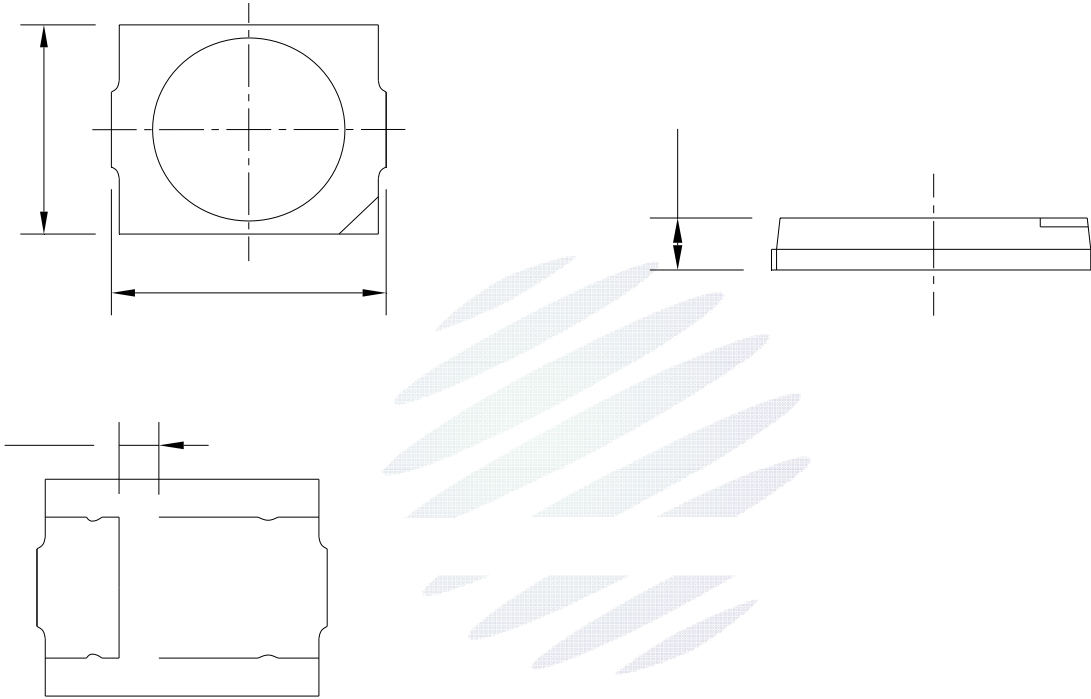


1.4 Product Selection Table

| | | | | |
|--|--|--|--|--|
| | | | | |
| | | | | |
| | | | | |
| | | | | |

1.5 Package Dimension



REFOND